

Thermosiphon Engine Heaters

CB Model
 Weathertight
 Single Phase

1500-2500 Watts



CB Model without thermostat



CB Model assembled with thermostat

Engine Displacement	Model Number without Thermostat	Model Number with Thermostat see chart 1	Volts	Watts	Phase	Amps
350 - 500cid 5.7 - 8.2L	CB115100-000	CB1151XX-200	120	1500	1	12.5
	CB115800-000	CB1158XX-200	208	1500	1	7.2
	CB115200-000	CB1152XX-200	240	1500	1	6.3
	CB115700-000	CB1157XX-200	277	1500	1	5.4
	CB115300-000	CB1153XX-200	380	1500	1	3.9
	CB115400-000	CB1154XX-200	480	1500	1	3.1
500 - 600cid 8.2 - 9.8L	CB120100-000	CB1201XX-200	120	2000	1	16.7
	CB120800-000	CB1208XX-200	208	2000	1	9.6
	CB120200-000	CB1202XX-200	240	2000	1	8.3
	CB120300-000	CB1203XX-200	380	2000	1	5.3
	CB120400-000	CB1204XX-200	480	2000	1	4.2
600 - 800cid 9.8 - 13.1L	CB125100-000	CB1251XX-200	120	2500	1	20.8
	CB125800-000	CB1258XX-200	208	2500	1	12.0
	CB125200-000	CB1252XX-200	240	2500	1	10.4
	CB125700-000	CB1257XX-200	277	2500	1	9.0
	CB125300-000	CB1253XX-200	380	2500	1	6.6
	CB125400-000	CB1254XX-200	480	2500	1	5.2

CHART 1

Heaters with Thermostats

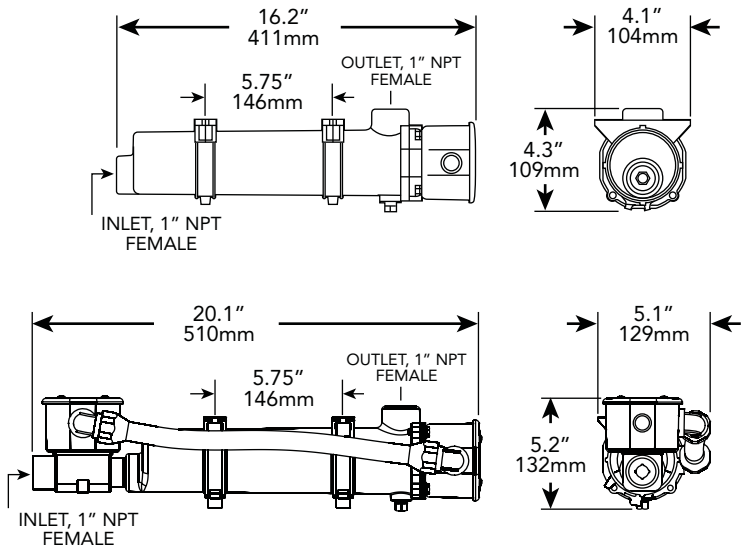
To specify temperature range of thermostat, insert numerical code from chart in place of the XX in model number.

Example:

Desired Temp. Range: 100° - 120°F
 Model Number: CB1151XX-200
 Order as: CB115110-200

Temperature Range		Numerical Code
ON	OFF	
80°F (27C)	100°F (38C)	08
100°F (38C)	120°F (49C)	10
120°F (49C)	140°F (60C)	12
Adjustable 90° - 130°F (32° - 54°C)		A3

CB Model



Model Number without Thermostat	Model Number with Thermostat see chart 2	Element Replacement
CB115100-000 CB115800-000 CB115200-000 CB115700-000 CB115300-000 CB115400-000	CB1151XX-200 CB1158XX-200 CB1152XX-200 CB1157XX-200 CB1153XX-200 CB1154XX-200	RECB1151 RECB1158 RECB1152 RECB1157 RECB1153 RECB1154
CB120100-000 CB120800-000 CB120200-000 CB120300-000 CB120400-000	CB1201XX-200 CB1208XX-200 CB1202XX-200 CB1203XX-200 CB1204XX-200	RECB1201 RECB1208 RECB1202 RECB1203 RECB1204
CB125100-000 CB125800-000 CB125200-000 CB125700-000 CB125300-000 CB125400-000	CB1251XX-200 CB1258XX-200 CB1252XX-200 CB1257XX-200 CB1253XX-200 CB1254XX-200	RECB1251 RECB1258 RECB1252 RECB1257 RECB1253 RECB1254

Common Replacement Parts available for all listed heaters	
High Limit Control	HLC-165
Check Valve	RV-M
Element O-ring	TMM-OR
Tank	RTB
Box	RTBCB
Mounting Brackets	RTMMB

Replacement Parts

For thermosiphon engine heaters
CB Model

CHART 2

Heaters with Thermostats

Temperature Range		Sensing Unit
ON	OFF	
80°F (27C)	100°F (38C)	FSU8
100°F (38C)	120°F (49C)	FSU10
120°F (49C)	140°F (60C)	FSU12
Adjustable 90° - 130°F (32° - 54°C)		FSU90-130

Example:

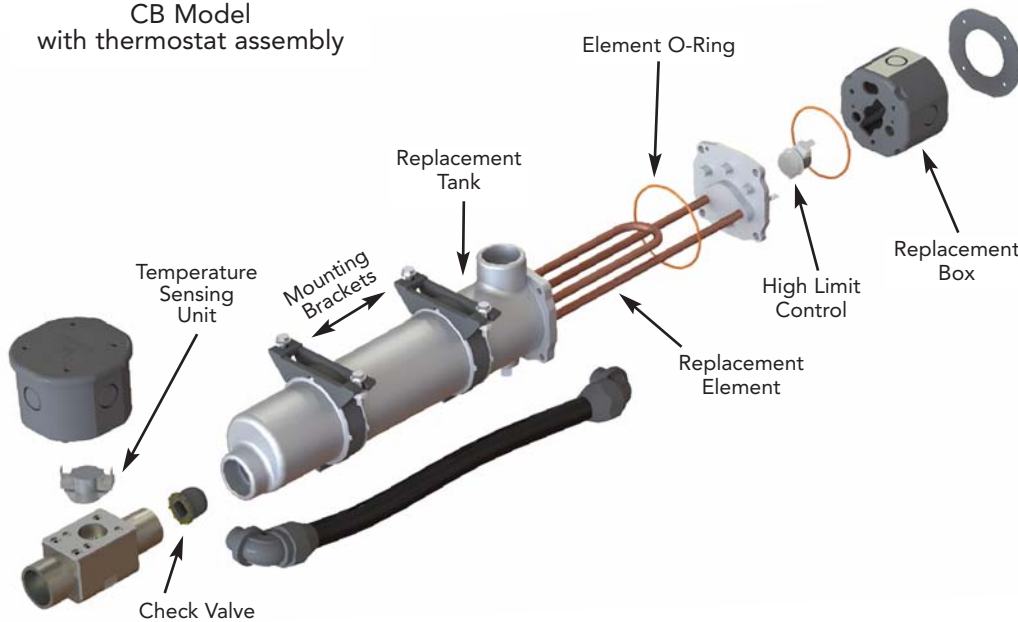
Model Number: CB115110-200
T-Stat Replacement: FSU10

ADAPTER FITTINGS

For the use of 0.75" or 1" ID heater hose, hose barb adapters are available. See below.

HB-1	1" NPT to 1" hose barb adapter. Installs in 1" NPT female inlet or outlet of the heater.
HB-3/4	1" NPT to 0.75" hose barb adapter. Installs in 1" NPT female inlet or outlet of the heater.

CB Model with thermostat assembly



Thermosiphon Engine Heaters

CL Model Weathertight Single Phase

1500-5000 Watts



CL Model without thermostat



CL Model assembled with thermostat

Engine Displacement	Model Number without Thermostat	Model Number with Thermostat see chart 1	Volts	Watts	Phase	Amps
800 - 1000cid 13.1 - 16.4L	CL130100-100	CL1301XX-200	120	3000	1	25.0
	CL130800-100	CL1308XX-200	208	3000	1	14.4
	CL130200-100	CL1302XX-200	240	3000	1	12.5
	CL130700-100	CL1307XX-200	277	3000	1	10.8
	CL130300-100	CL1303XX-200	380	3000	1	7.9
	CL130400-100	CL1304XX-200	480	3000	1	6.3
	1000 - 1350cid 16.4 - 22.1L	CL140800-100	CL1408XX-200	208	4000	1
CL140200-100		CL1402XX-200	240	4000	1	16.7
CL140700-100		CL1407XX-200	277	4000	1	14.4
CL140300-100		CL1403XX-200	380	4000	1	10.5
CL140400-100		CL1404XX-200	480	4000	1	8.3
1350 - 1650cid 22.1 - 27.0L	CL150800-100	CL1508XX-200	208	5000	1	24.0
	CL150200-100	CL1502XX-200	240	5000	1	20.8
	CL150700-100	CL1507XX-200	277	5000	1	18.1
	CL150300-100	CL1503XX-200	380	5000	1	13.2
	CL150400-100	CL1504XX-200	480	5000	1	10.4

CHART 1

Heaters with Thermostats

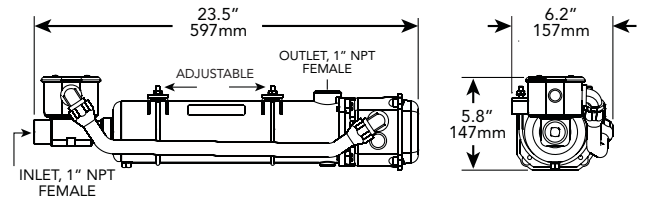
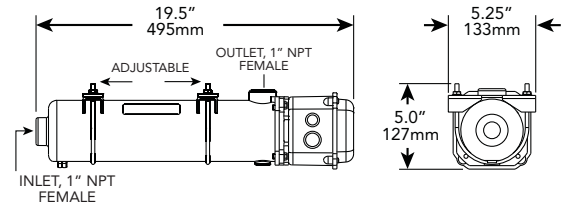
To specify temperature range of thermostat, insert numerical code from chart in place of the XX in model number.

Example:

Desired Temp. Range: 100° - 120°F
Model Number: CL1302XX-100
Order as: CL130210-100

Temperature Range		Numerical Code
ON	OFF	
80°F (27C)	100°F (38C)	08
100°F (38C)	120°F (49C)	10
120°F (49C)	140°F (60C)	12
Adjustable 90° - 130°F (32° - 54°C)		A3

CL Model



OEM Replacement Weathertight Single Phase

3000-6000 Watts



Vertical Mount
OEM replacement

Hotstart Model Number	Caterpillar Model Number	Volts	Pre-Wired at assembly	Watts	Phase	Amps
CL130DA2-000	7E-6247	120/240	120	3000	1	25.0 @ 120 V 12.5 @ 240 V
CL140EA2-000	—	240/480	240	4000	1	16.7 @ 240 V 8.3 @ 480 V
CL160EA2-000	7E-6248 (2006504)	240/480	240	6000	1	25.0 @ 240 V 12.5 @ 480 V
CL160CA2-000	7E-6249	120	2-120 V circuits	6000	1	25.0 per circuit

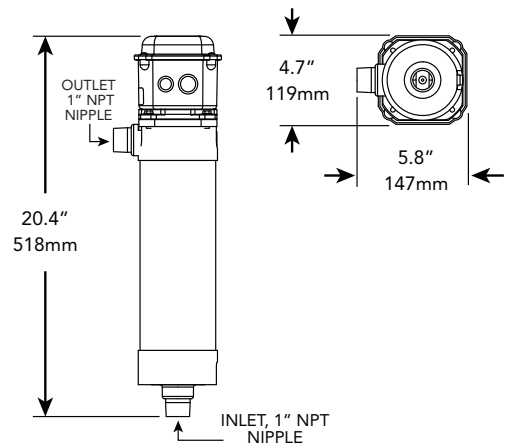
NOTE: Vertical installation ONLY

For original equipment replacement:

- Two 5" stainless steel clamps are included to mount heater to existing bracket.

For new installations:

- U-bolt mounting brackets available. Order kit number: FK9



Model Number without Thermostat	Model Number with Thermostat see chart 2	Element Replacement
CL130100-100 CL130800-100 CL130200-100 CL130700-100 CL130300-100 CL130400-100	CL1301XX-200 CL1308XX-200 CL1302XX-200 CL1307XX-200 CL1303XX-200 CL1304XX-200	RECL1301-100 RECL1308-100 RECL1302-100 RECL1307-100 RECL1303-100 RECL1304-100
CL140800-100 CL140200-100 CL140700-100 CL140300-100 CL140400-100	CL1408XX-200 CL1402XX-200 CL1407XX-200 CL1403XX-200 CL1404XX-200	RECL1408-100 RECL1402-100 RECL1407-100 RECL1403-100 RECL1404-100
CL150800-100 CL150200-100 CL150700-100 CL150300-100 CL150400-100	CL1508XX-200 CL1502XX-200 CL1507XX-200 CL1503XX-200 CL1504XX-200	RECL1508-100 RECL1502-100 RECL1507-100 RECL1503-100 RECL1504-100

Common Replacement Parts available for all listed heaters	
High Limit Control	HLC-165
Check Valve	RV-M
Element O-ring	TML-OR
Tank	RTL
Box	RTBCL-100
Mounting Brackets	FK7

Replacement Parts

For thermosiphon engine heaters
CL Model

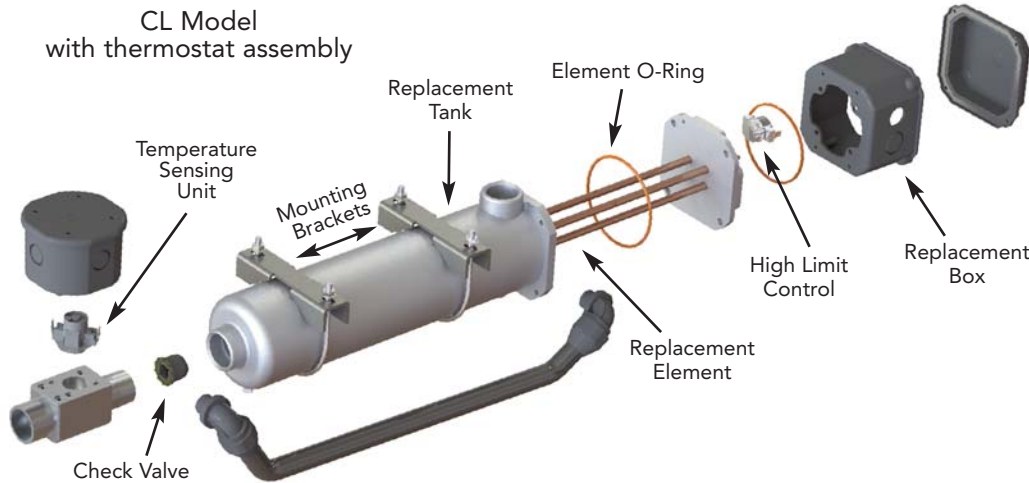
CHART 2

Heaters with Thermostats

Temperature Range		Sensing Unit
ON	OFF	
80°F (27C)	100°F (38C)	FSU8
100°F (38C)	120°F (49C)	FSU10
120°F (49C)	140°F (60C)	FSU12
Adjustable 90° - 130°F (32° - 54°C)		FSU90-130

Example:

Model Number: CL130210-100
T-Stat Replacement: FSU10



Replacement Parts

For thermosiphon engine heaters
OEM Replacement

Hotstart Model Number	Element Replacement
CL130DA2-000	RECL130D
CL140EA2-000	RECL140E
CL160EA2-000	RECL160C
CL160CA2-000	RECL140E

Common Replacement Parts available for all OEM replacement heaters	
Thermostat	AMT70210-A2
Element O-ring	TML-OR
Tank	RTCSM
Box	RTBCL-100

